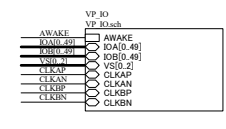
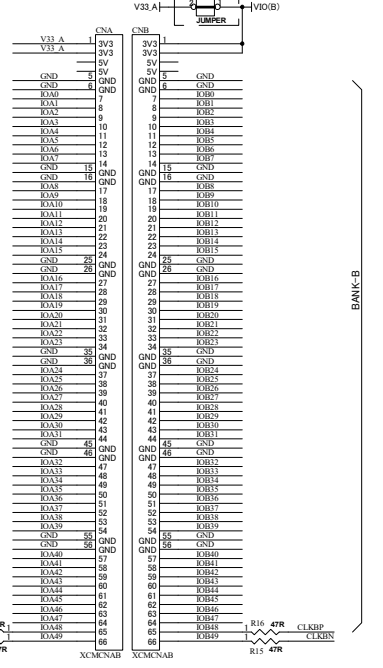
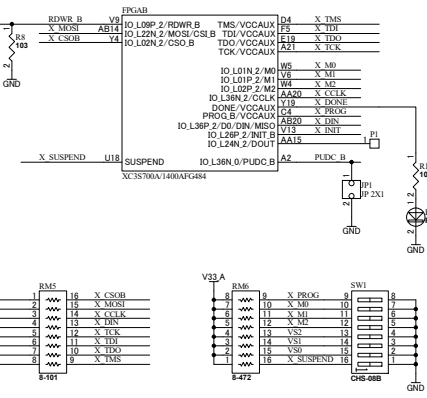
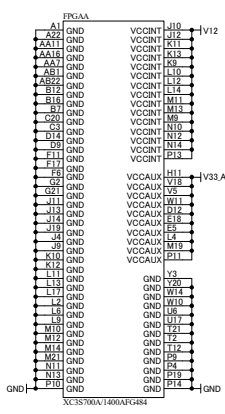
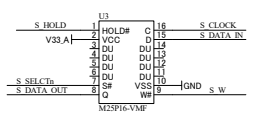
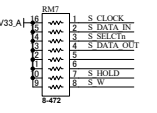
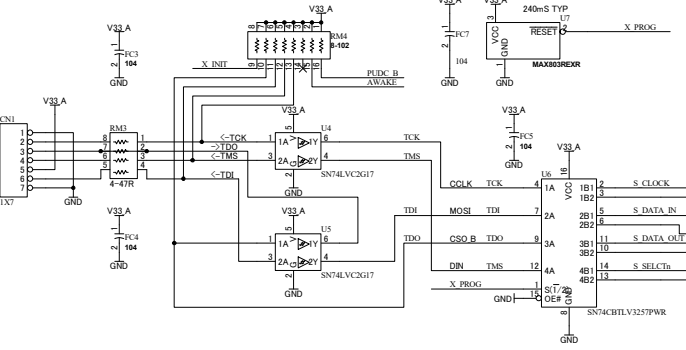
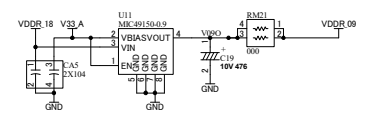
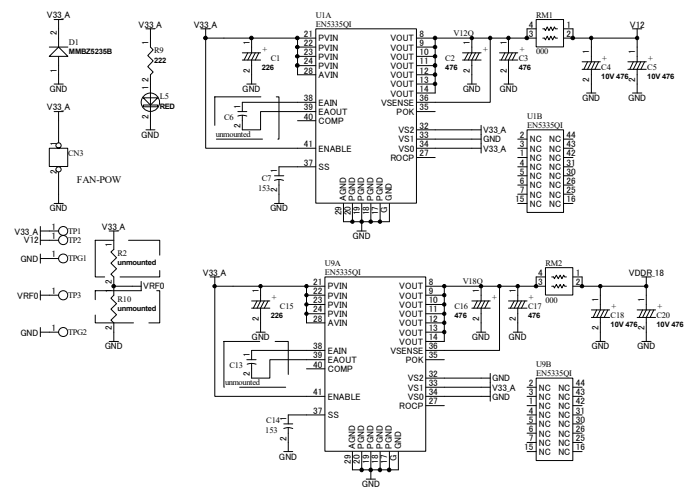


V12 V12  
 V33.A V33.A  
 V33.B V33.B  
 VRF0 VRF0  
 GND GND

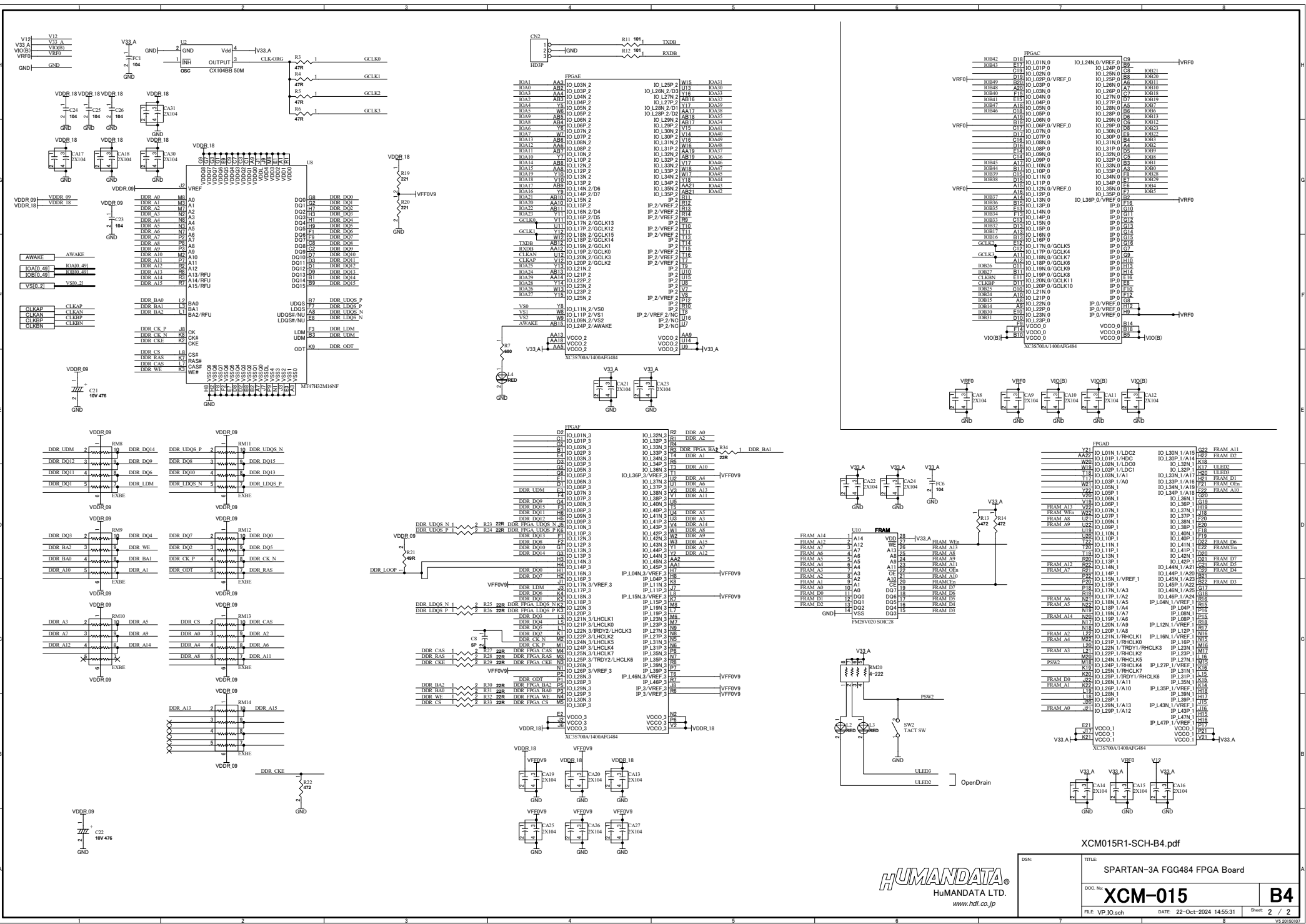
VDDR\_09 VDDR\_09  
 VDDR\_18 VDDR\_18



XCM015R1-SCH-B4.pdf

DSN	TITLE	SPARTAN-3A FGG484 FPGA Board	
DOC. NO.	<b>XCM-015</b>		<b>B4</b>
FILE	XCM015B.sch	DATE	22-Oct-2024 14:55:30
Sheet	1	of	2





XCM-015R1-SCH-B4.pdf



DOC. NO.	<b>XCM-015</b>	<b>B4</b>
FILE	VP_IO.sch	DATE: 22-Oct-2024 14:55:31 Sheet 2 / 2