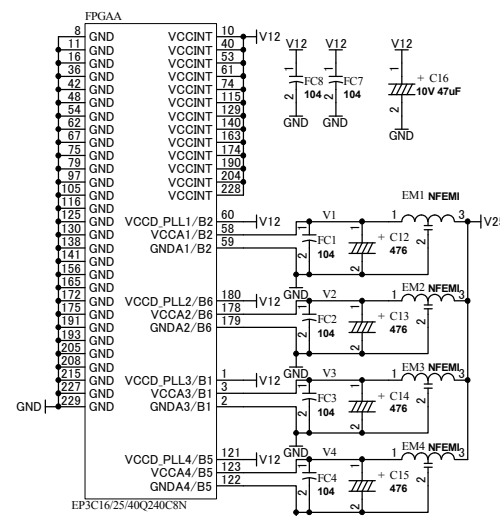
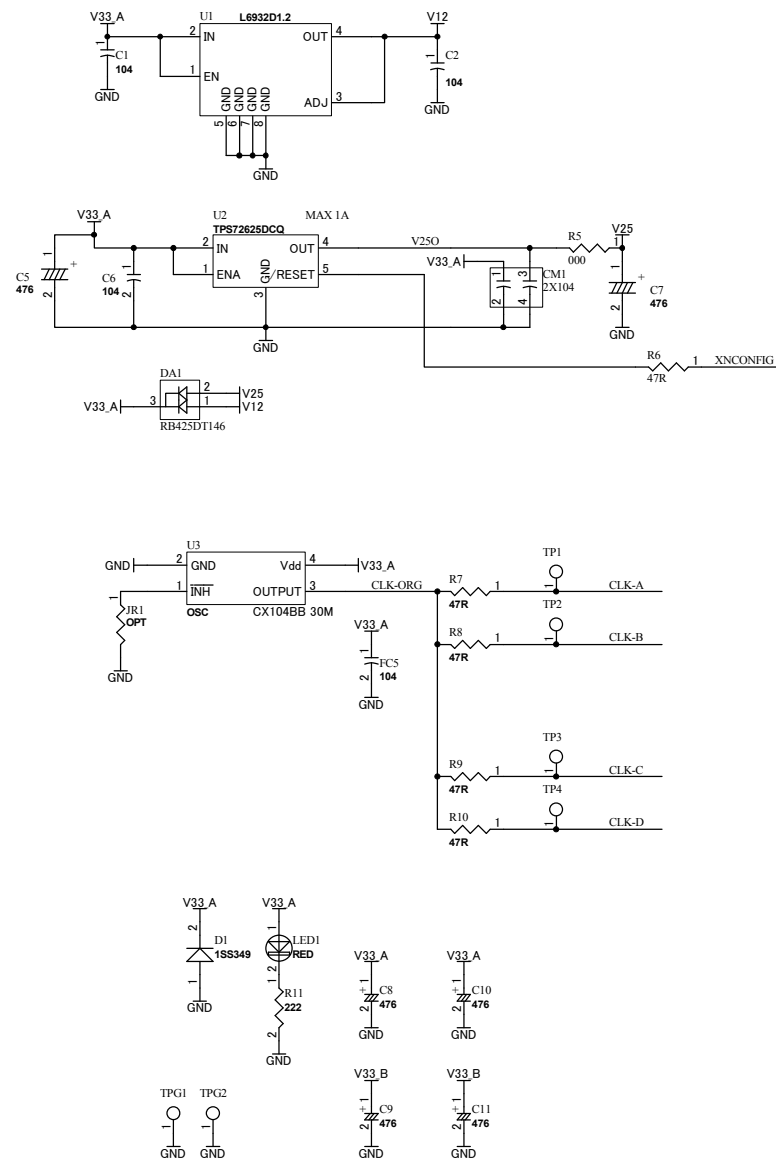
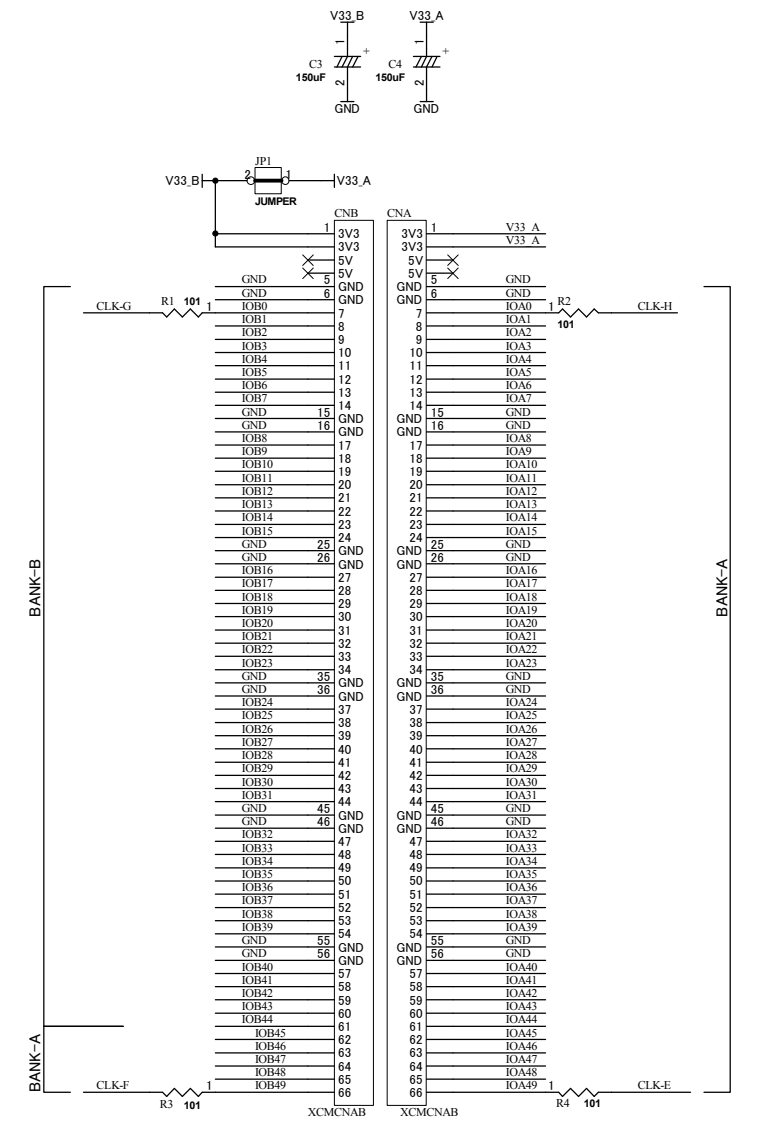


V33| V33  
 V33\_A| V33\_A  
 V33\_B| V33\_B  
 V12| V12  
 V25| V25  
 GND| GND

電源回路



FPGACY3	
FPGACY3.sch	
IOA[0..49]	IOA[0..49]
IOB[0..49]	IOB[0..49]
CLK-A	CLK-A
CLK-B	CLK-B
CLK-C	CLK-C
CLK-D	CLK-D
CLK-E	CLK-E
CLK-F	CLK-F
CLK-G	CLK-G
CLK-H	CLK-H
XNCONFIG	XNCONFIG

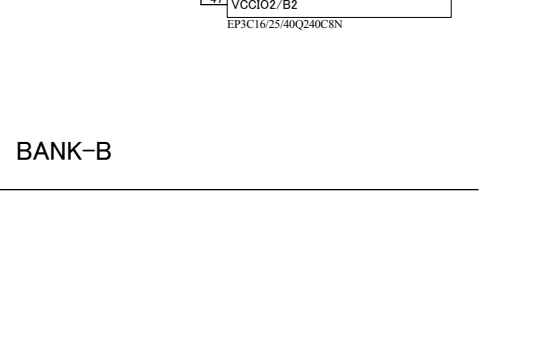
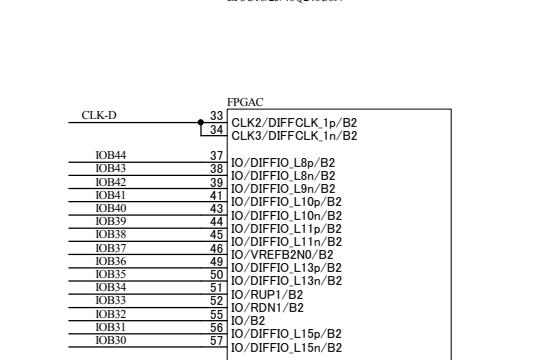
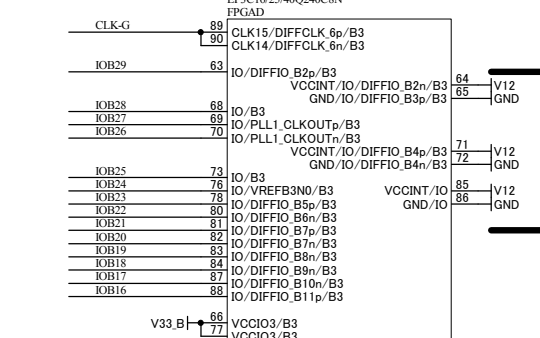
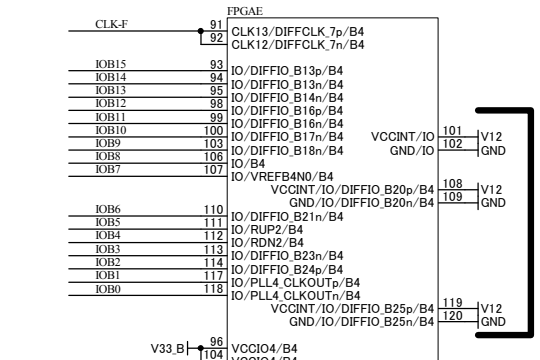
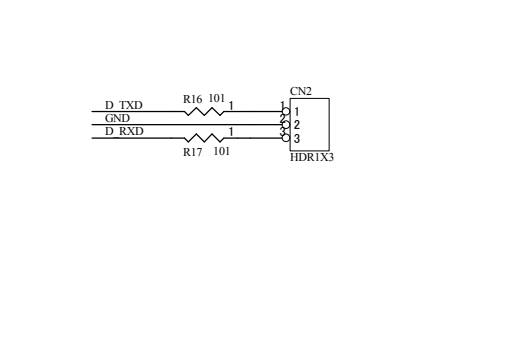
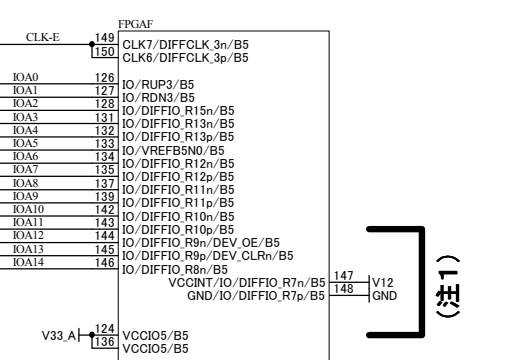
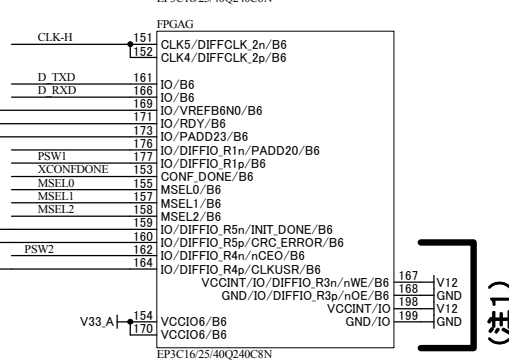
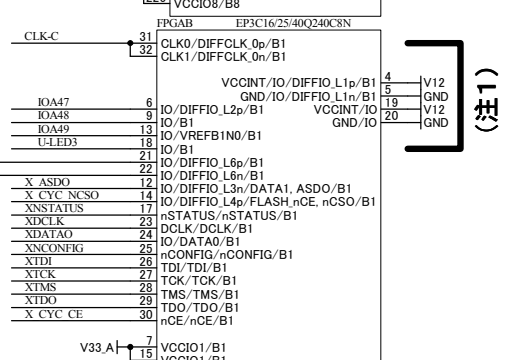
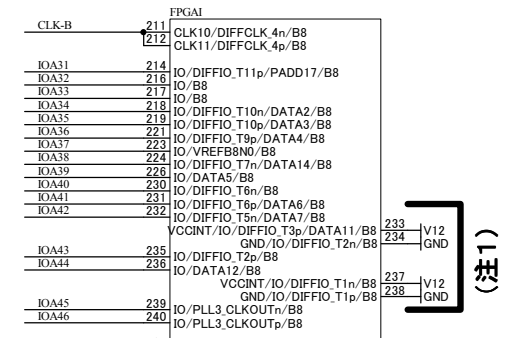
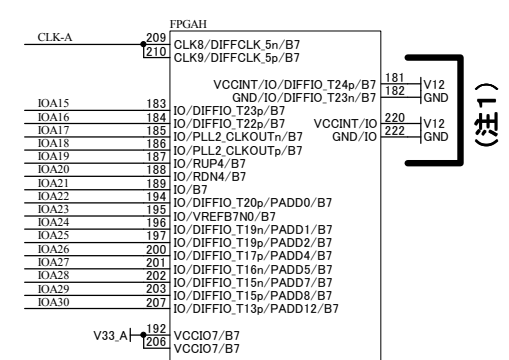
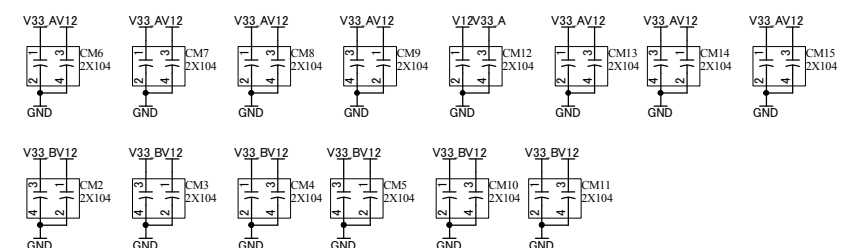
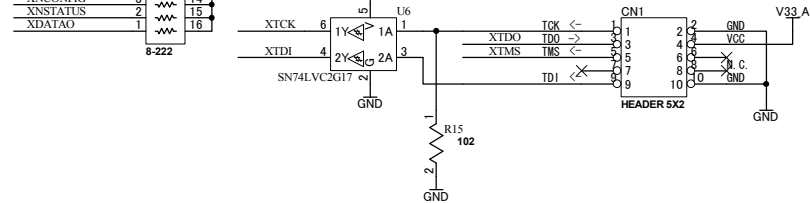
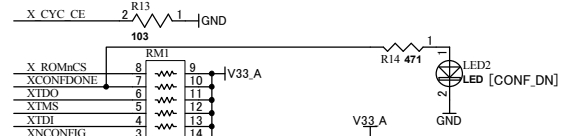
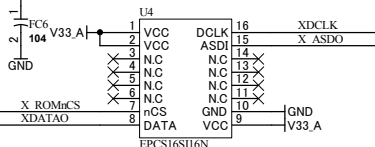
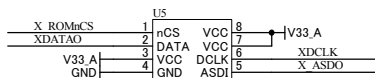
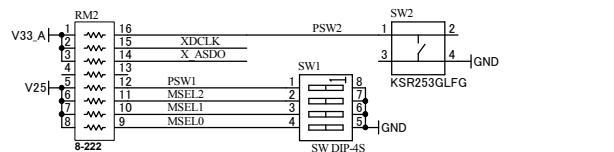
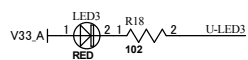


	2008/05/12		
	HuMANDATA LTD. OSAKA JAPAN www.hdl.co.jp	CycloneIII FPGA Board( PQ240)	
Date: 12-May-2008	16:29:08	DOC. No. ACM-018	B
File: ACM018B.sch		Sheet 1 of 2	

V33| V33  
 V33 A| V33 A  
 V33 B| V33 B  
 V12| V12  
 V25| V25  
 GND| GND



CLK-A CLK-A  
 CLK-B CLK-B  
 CLK-C CLK-C  
 CLK-D CLK-D  
 CLK-E CLK-E  
 CLK-F CLK-F  
 CLK-G CLK-G  
 CLK-H CLK-H  
 XNCONFIG XNCONFIG



BANK-B

(注1) これらのピンはGNDまたは電源に接続されています。



HuMANDATA LTD.  
 OSAKA JAPAN  
 www.hdl.co.jp

CycloneIII FPGA Board (PQ240)