

		SCALE	UNIT	MATERIAL
		-	mm	
CHK	DWG 	TITLE		
		LNx-210A-W24 Outline Drawing		
		DRAWING NO	REV	
		LNx210A-W24R1-DWG-A	A	

1

2

3

4

A

A

B

B

C

C

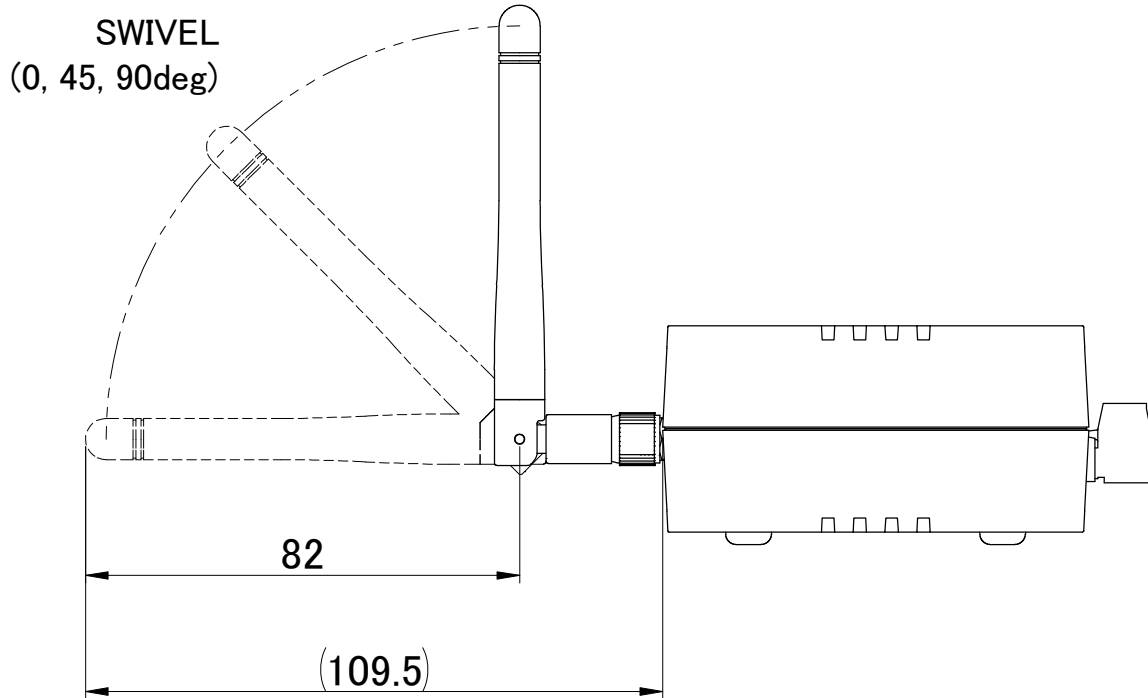
D

D

E

E

F



HUMANDATA [®]		SCALE	UNIT	MATERIAL
		-	mm	
CHK	DWG	TITLE		
		LNx-210A-W24 Outline Drawing		
		DRAWING NO		REV
		LNx210A-W24R1-DWG-A		A

1

2

3

A4 SHEET 2 OF 2