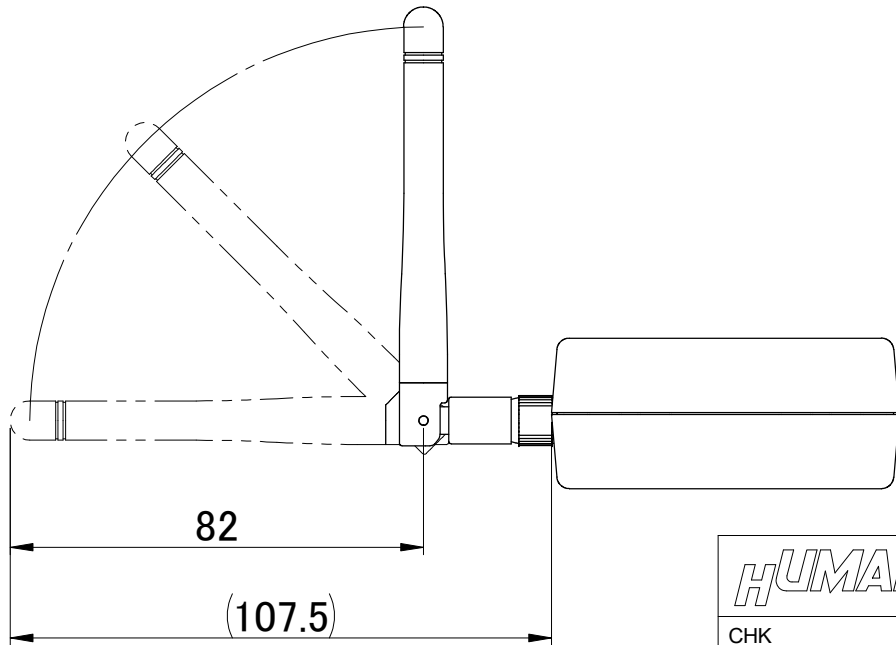


SWIVEL
(0, 45, 90deg)



HUMANDATA ®		SCALE —	UNIT mm	MATERIAL
CHK	DWG	TITLE LNx-011W Outline Drawing		
		DRAWING NO LNx011WR1-DWG-A		REV A