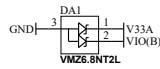
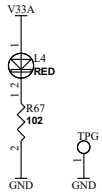


V33A	V33A
VIO(B)	VIO(B)
VCCINT 10	VCCINT 10
VCCAUX 18	VCCAUX 18
VMGTAVTT 12	VMGTAVTT 12
VMGTVCC 10	VMGTVCC 10
VMGTCLK	VMGTCLK
VDDR	VDDR
VCCOB	VCCOB
VCCOA	VCCOA
GND	GND

[POWER]

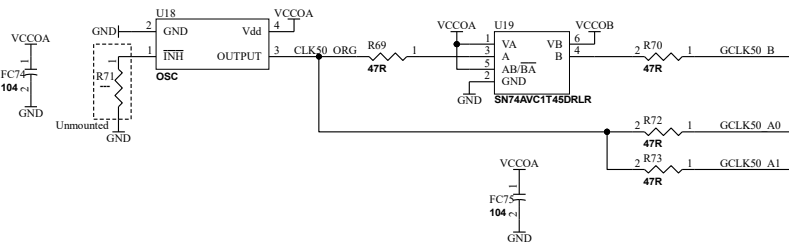
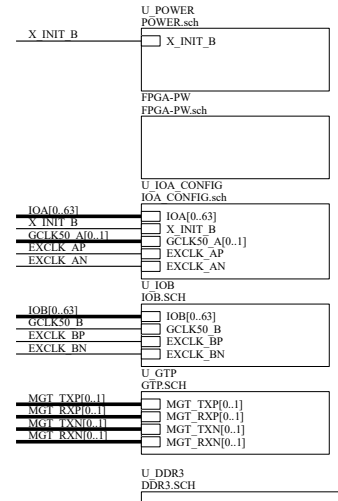


GNA		GND		GND		GND		GND	
EXCLK_AP	11	CK	12	EXCLK_AN	12	EXCLK_BN	12	EXCLK_BN	12
MGT_TXP0	13	CK	14	MGT_RXP0	14	MGT_RXN0	14	MGT_RXN0	14
MGT_TXN0	15	TXP	16	MGT_RXN0	16	MGT_RXN0	16	MGT_RXN0	16
IOA0	17	IO	18	IOA32	18	IOA32	18	IOA32	18
IOA1	19	IO	20	IOA33	20	IOA33	20	IOA33	20
IOA2	21	IO	22	IOA34	22	IOA34	22	IOA34	22
IOA3	23	IO	24	IOA35	24	IOA35	24	IOA35	24
IOA4	25	IO	26	IOA36	26	IOA36	26	IOA36	26
IOA5	27	IO	28	IOA37	28	IOA37	28	IOA37	28
IOA6	29	IO	30	IOA38	30	IOA38	30	IOA38	30
GND	G	G	G	GND	G	GND	G	GND	G
IOA7	31	GND	32	IOA39	32	IOA39	32	IOA39	32
IOA8	33	IO	34	IOA40	34	IOA40	34	IOA40	34
IOA9	35	IO	36	IOA41	36	IOA41	36	IOA41	36
IOA10	37	IO	38	IOA42	38	IOA42	38	IOA42	38
IOA11	39	IO	40	IOA43	40	IOA43	40	IOA43	40
IOA12	41	IO	42	IOA44	42	IOA44	42	IOA44	42
IOA13	43	IO	44	IOA45	44	IOA45	44	IOA45	44
IOA14	45	IO	46	IOA46	46	IOA46	46	IOA46	46
IOA15	47	IO	48	IOA47	48	IOA47	48	IOA47	48
IOA16	49	IO	50	IOA48	50	IOA48	50	IOA48	50
GND	G	G	G	GND	G	GND	G	GND	G
IOA17	51	GND	52	IOA49	52	IOA49	52	IOA49	52
IOA18	53	IO	54	IOA50	54	IOA50	54	IOA50	54
IOA19	55	IO	56	IOA51	56	IOA51	56	IOA51	56
IOA20	57	IO	58	IOA52	58	IOA52	58	IOA52	58
IOA21	59	IO	60	IOA53	60	IOA53	60	IOA53	60
IOA22	61	IO	62	IOA54	62	IOA54	62	IOA54	62
IOA23	63	IO	64	IOA55	64	IOA55	64	IOA55	64
IOA24	65	IO	66	IOA56	66	IOA56	66	IOA56	66
IOA25	67	IO	68	IOA57	68	IOA57	68	IOA57	68
IOA26	69	IO	70	IOA58	70	IOA58	70	IOA58	70
GND	G	G	G	GND	G	GND	G	GND	G
IOA27	71	IO	72	IOA59	72	IOA59	72	IOA59	72
IOA28	73	IO	74	IOA60	74	IOA60	74	IOA60	74
IOA29	75	IO	76	IOA61	76	IOA61	76	IOA61	76
IOA30	77	IO	78	IOA62	78	IOA62	78	IOA62	78
IOA31	79	IO	80	IOA63	80	IOA63	80	IOA63	80

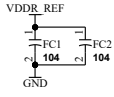
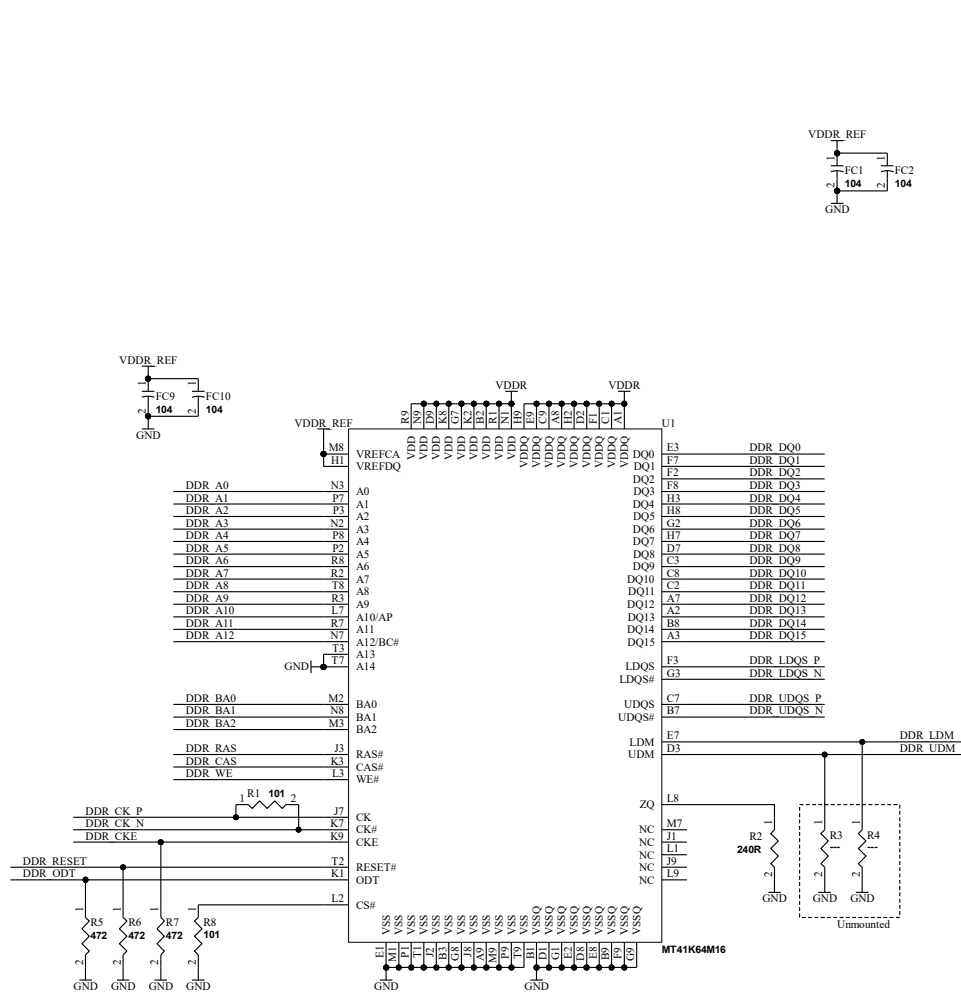
FX10-80PHG-CNA

CNB		GND		GND		GND		GND	
EXCLK_BP	11	CK	12	EXCLK_BN	12	EXCLK_BN	12	EXCLK_BN	12
MGT_TXP1	13	CK	14	MGT_RXP1	14	MGT_RXN1	14	MGT_RXN1	14
MGT_TXN1	15	TXP	16	MGT_RXN1	16	MGT_RXN1	16	MGT_RXN1	16
IOB0	17	IO	18	IOB32	18	IOB32	18	IOB32	18
IOB1	19	IO	20	IOB33	20	IOB33	20	IOB33	20
IOB2	21	IO	22	IOB34	22	IOB34	22	IOB34	22
IOB3	23	IO	24	IOB35	24	IOB35	24	IOB35	24
IOB4	25	IO	26	IOB36	26	IOB36	26	IOB36	26
IOB5	27	IO	28	IOB37	28	IOB37	28	IOB37	28
IOB6	29	IO	30	IOB38	30	IOB38	30	IOB38	30
GND	G	G	G	GND	G	GND	G	GND	G
IOB7	31	GND	32	IOB39	32	IOB39	32	IOB39	32
IOB8	33	IO	34	IOB40	34	IOB40	34	IOB40	34
IOB9	35	IO	36	IOB41	36	IOB41	36	IOB41	36
IOB10	37	IO	38	IOB42	38	IOB42	38	IOB42	38
IOB11	39	IO	40	IOB43	40	IOB43	40	IOB43	40
IOB12	41	IO	42	IOB44	42	IOB44	42	IOB44	42
IOB13	43	IO	44	IOB45	44	IOB45	44	IOB45	44
IOB14	45	IO	46	IOB46	46	IOB46	46	IOB46	46
IOB15	47	IO	48	IOB47	48	IOB47	48	IOB47	48
IOB16	49	IO	50	IOB48	50	IOB48	50	IOB48	50
GND	G	G	G	GND	G	GND	G	GND	G
IOB17	51	GND	52	IOB49	52	IOB49	52	IOB49	52
IOB18	53	IO	54	IOB50	54	IOB50	54	IOB50	54
IOB19	55	IO	56	IOB51	56	IOB51	56	IOB51	56
IOB20	57	IO	58	IOB52	58	IOB52	58	IOB52	58
IOB21	59	IO	60	IOB53	60	IOB53	60	IOB53	60
IOB22	61	IO	62	IOB54	62	IOB54	62	IOB54	62
IOB23	63	IO	64	IOB55	64	IOB55	64	IOB55	64
IOB24	65	IO	66	IOB56	66	IOB56	66	IOB56	66
IOB25	67	IO	68	IOB57	68	IOB57	68	IOB57	68
IOB26	69	IO	70	IOB58	70	IOB58	70	IOB58	70
GND	G	G	G	GND	G	GND	G	GND	G
IOB27	71	IO	72	IOB59	72	IOB59	72	IOB59	72
IOB28	73	IO	74	IOB60	74	IOB60	74	IOB60	74
IOB29	75	IO	76	IOB61	76	IOB61	76	IOB61	76
IOB30	77	IO	78	IOB62	78	IOB62	78	IOB62	78
IOB31	79	IO	80	IOB63	80	IOB63	80	IOB63	80

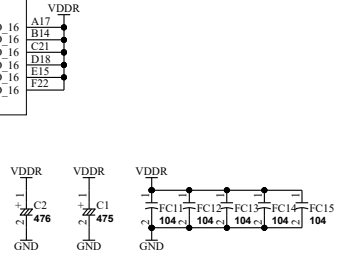
FX10-80PHG-CNB



V33A	V33A
VIO(B)	VIO(B)
VCCINT_10	VCCINT_10
VCCAUX_18	VCCAUX_18
VMGTAVTT_12	VMGTAVTT_12
VMGTAVCC_10	VMGTAVCC_10
VMGTCLK	VMGTCLK
VDDR	VDDR
VCCOB	VCCOB
VCCOA	VCCOA
GND	GND



FPGA		
DDR DQ3	F13	IO L1P_T0_16
DDR DQ5	F14	IO L1N_T0_16
DDR DQ0	F16	IO L2P_T0_16
DDR DQ6	E17	IO L2N_T0_16
DDR LDQS P	C14	IO L3P_T0_DQS_16
DDR LDQS N	C15	IO L3N_T0_DQS_16
DDR DQ1	E13	IO L4P_T0_16
DDR LDM	E14	IO L4N_T0_16
DDR DQ4	E16	IO L5P_T0_16
DDR DQ2	D16	IO L5N_T0_16
DDR DQ7	D14	IO L6P_T0_16
	D15	IO L6N_T0_VREF_16
DDR DQ15	B15	IO L7P_T1_16
DDR DQ9	B16	IO L7N_T1_16
DDR DQ10	C13	IO L8P_T1_16
DDR UDM	B13	IO L8N_T1_16
DDR UDQS P	A15	IO L9P_T1_DQS_16
DDR UDQS N	A16	IO L9N_T1_DQS_16
DDR DQ14	A13	IO L10P_T1_16
DDR DQ13	B17	IO L10N_T1_16
DDR DQ11	B18	IO L11P_T1_SRCC_16
DDR DQ8	D17	IO L11N_T1_SRCC_16
DDR RESET	C17	IO L12P_T1_MRCC_16
DDR BA0	C18	IO L12N_T1_MRCC_16
DDR WE	C19	IO L13P_T2_MRCC_16
DDR CKE	E19	IO L13N_T2_MRCC_16
DDR CAS	D19	IO L14P_T2_SRCC_16
DDR A10	F18	IO L14N_T2_SRCC_16
DDR RAS	E18	IO L15P_T2_DQS_16
DDR A7	B20	IO L15N_T2_DQS_16
DDR A5	A20	IO L16P_T2_16
DDR ODT	A18	IO L16N_T2_16
DDR A3	A19	IO L17P_T2_16
DDR BA2	F19	IO L17N_T2_16
DDR A1	F20	IO L18P_T2_16
DDR BA1	D20	IO L18N_T2_16
	C20	IO L19P_T3_16
DDR A11	C22	IO L19N_T3_VREF_16
DDR A8	B22	IO L20P_T3_16
DDR CK P	B21	IO L20N_T3_16
DDR CK N	A21	IO L21P_T3_DQS_16
DDR A2	E22	IO L21N_T3_DQS_16
DDR A12	D22	IO L22P_T3_16
DDR A0	E21	IO L22N_T3_16
DDR A4	D21	IO L23P_T3_16
DDR A9	G21	IO L23N_T3_16
DDR A6	G22	IO L24P_T3_16
	G22	IO L24N_T3_16
	F15	IO 0_16
	F21	IO 25_16

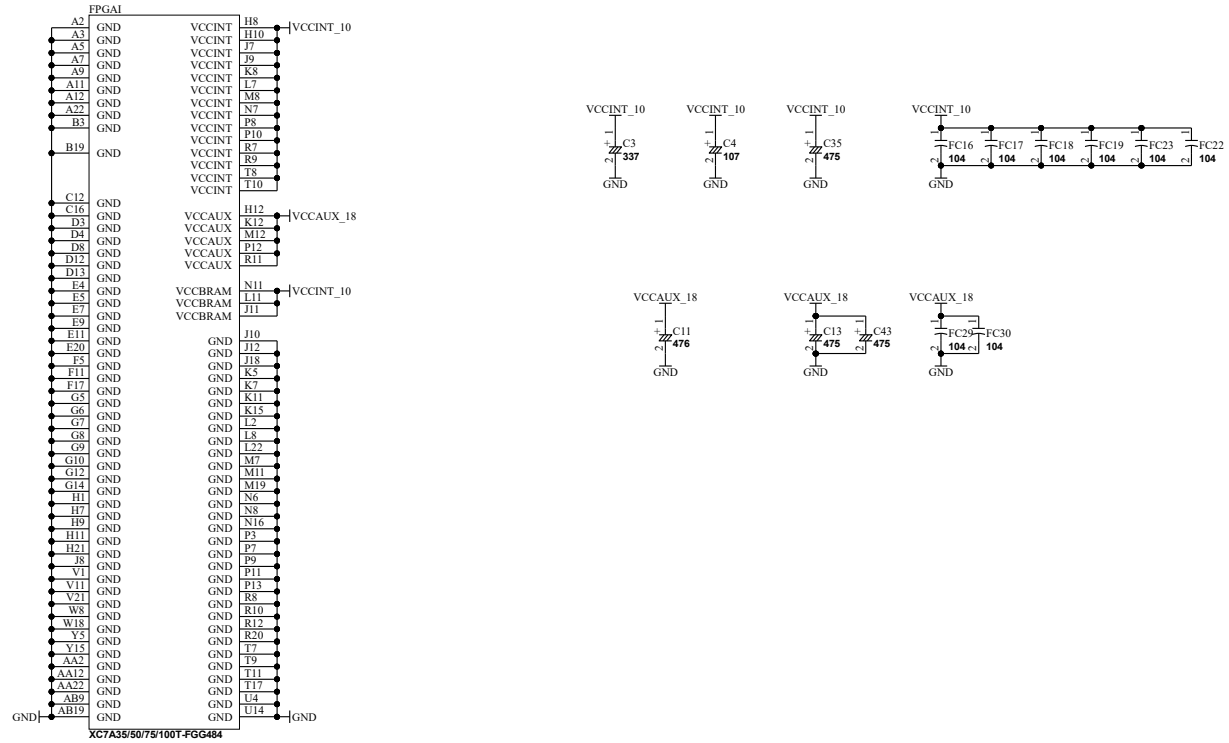


XCM114R3-SCH-B.pdf



DSN:	TITLE: ARTIX-7 FBG484 FPGA Board
DOC. No:	<b>XCM-114</b>
FILE: DDR3.SCH	DATE: 2023/03/13 15:47:13
Sheet:	<b>B</b> / 7

V33A	V33A
VIO(B)	VIO(B)
VCCINT_10	VCCINT_10
VCCAUX_18	VCCAUX_18
VMGTAVTT_12	VMGTAVTT_12
VMGTAVCC_10	VMGTAVCC_10
VMGTCLK	VMGTCLK
VDDR	VDDR
VCCOB	VCCOB
VCCOA	VCCOA
GND	GND



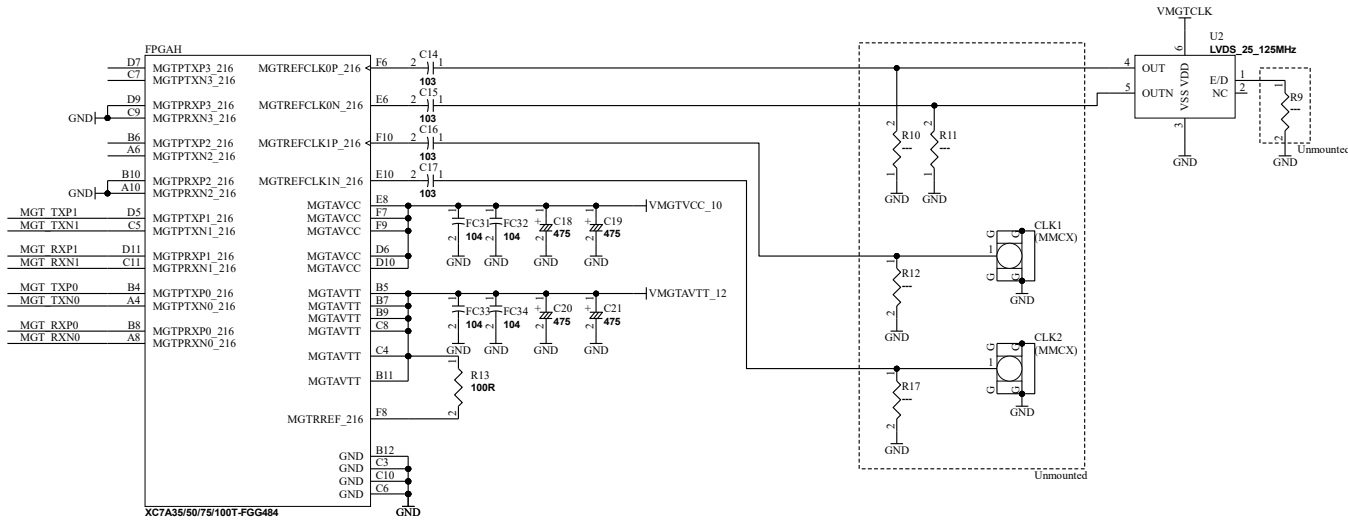
XCM114R3-SCH-B.pdf

**HUMAN DATA**  
 HUMAN DATA LTD.  
[www.hdl.co.jp/ \(Japan\)](http://www.hdl.co.jp/)  
[www2.hdl.co.jp/en/ \(Global\)](http://www2.hdl.co.jp/en/)

DSN:	TITLE: ARTIX-7 FBG484 FPGA Board
DOC. No:	<b>XCM-114</b>
FILE: FPGA-PW.sch	DATE: 2023/03/13 15:47:13
Sheet: 3 / 7	<b>B</b>

V33A	V33A
VIO(B)	VIO(B)
VCCINT_10	VCCINT_10
VCCAUX_18	VCCAUX_18
VMGTAVTT_12	VMGTAVTT_12
VMGTAVCC_10	VMGTAVCC_10
VMGTCLK	VMGTCLK
VDDR	VDDR
VCCOB	VCCOB
VCCOA	VCCOA
GND	GND

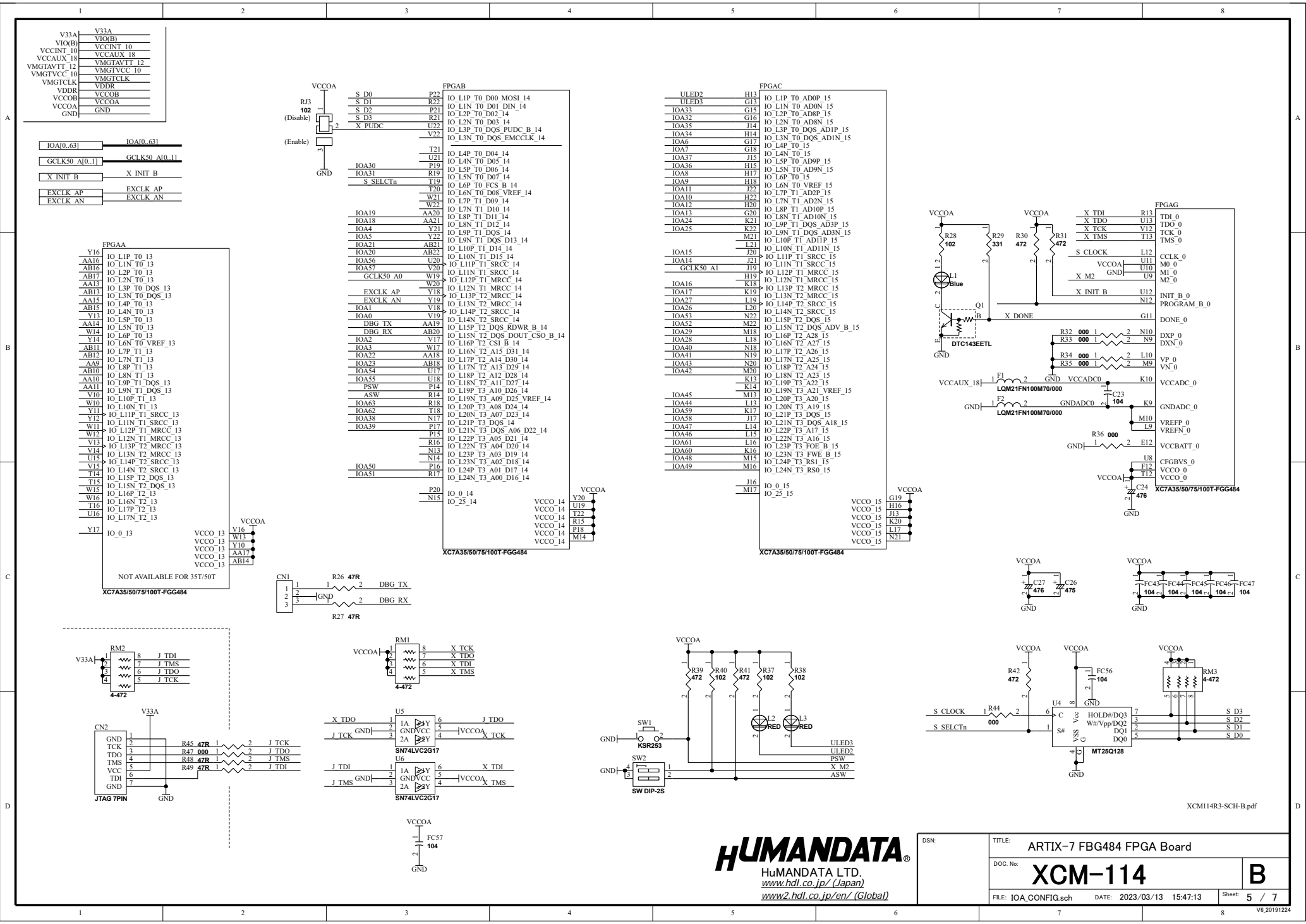
MGT_TXP[0..1]	MGT_TXP[0..1]
MGT_TXN[0..1]	MGT_TXN[0..1]
MGT_RXP[0..1]	MGT_RXP[0..1]
MGT_RXN[0..1]	MGT_RXN[0..1]



XCM114R3-SCH-B.pdf

**HUMAN DATA**  
 HUMAN DATA LTD.  
[www.hdl.co.jp/ \(Japan\)](http://www.hdl.co.jp/)  
[www2.hdl.co.jp/en/ \(Global\)](http://www2.hdl.co.jp/en/)

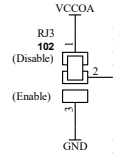
DSN:	TITLE: ARTIX-7 FBG484 FPGA Board	
DOC. No:	<b>XCM-114</b>	<b>B</b>
FILE: GTP.SCH	DATE: 2023/03/13 15:47:13	Sheet: 4 / 7



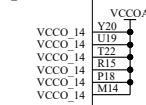
V33A	V33A
VIO(B)	VIO(B)
VCCINT 10	VCCINT 10
VCCAUX 18	VCCAUX 18
VMGTAVTT 12	VMGTAVTT 12
VMGTVCC 10	VMGTVCC 10
VMGTCLK	VMGTCLK
VDDR	VDDR
VCCOB	VCCOB
VCCOA	VCCOA
GND	GND

IOA0_63	IOA0_63
GCLK50_A0_11	GCLK50_A0_11
X INIT B	X INIT B
EXCLK AP	EXCLK AP
EXCLK AN	EXCLK AN

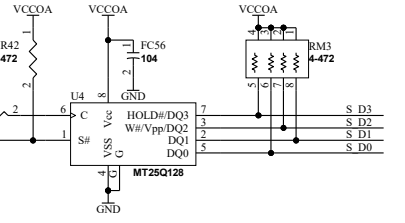
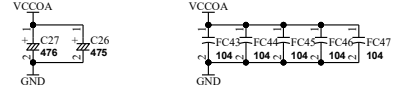
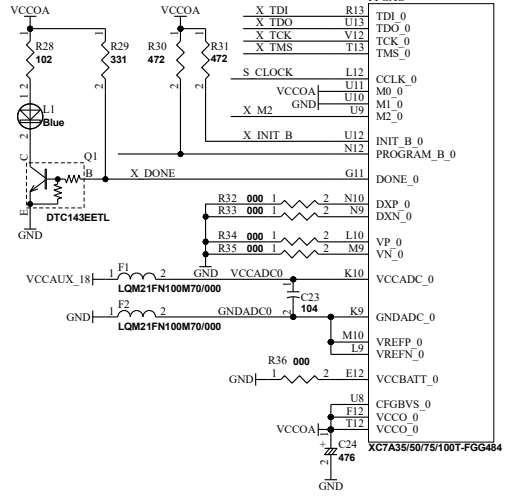
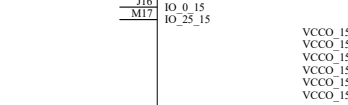
FPGA	
Y16	IO L1P T0_13
AA16	IO L1N T0_13
AB16	IO L2P T0_13
AB17	IO L2N T0_13
AA13	IO L3P T0_DQS_13
AB13	IO L3N T0_DQS_13
AA15	IO L4P T0_13
AB15	IO L4N T0_13
Y13	IO L5P T0_13
AA14	IO L5N T0_13
Y14	IO L6P T0_13
AB11	IO L6N T0_VREF_13
AB12	IO L7P T1_13
AA9	IO L8P T1_13
AB10	IO L8N T1_13
AA10	IO L8N T1_DQS_13
AA11	IO L9N T1_DQS_13
V10	IO L10P T1_13
Y11	IO L10N T1_13
Y12	IO L11P T1_SRCC_13
W11	IO L11N T1_SRCC_13
W12	IO L12P T1_MRCC_13
V12	IO L12N T1_MRCC_13
U13	IO L13P T2_MRCC_13
U15	IO L13N T2_MRCC_13
V15	IO L14P T2_SRCC_13
T14	IO L14N T2_SRCC_13
T15	IO L15P T2_DQS_13
W15	IO L15N T2_DQS_13
W16	IO L16P T2_13
T16	IO L17P T2_13
U16	IO L17N T2_13
Y17	IO_0_13



FPGA	
S D0	P22
S D1	R23
S D2	R21
S D3	R21
X_PUDC	U22
	V22
	T21
	U21
IOA30	P19
IOA31	R19
S_SELECTn	T19
	T20
	W21
	W22
IOA19	AA20
IOA18	AA21
IOA4	Y21
IOA5	Y22
IOA21	AB21
IOA20	AB22
IOA36	U20
IOA37	V20
GCLK50_A0	W19
	W20
EXCLK AP	Y18
EXCLK AN	Y19
IOA1	V18
IOA0	V19
DBG TX	AA19
DBG RX	AB20
	V17
IOA3	W17
IOA22	AA18
IOA23	AB18
IOA34	U17
IOA35	U18
PSW	P14
ASW	R14
IOA63	R18
IOA62	R18
IOA38	N17
IOA39	P17
	P15
	R16
	N15
IOA50	P16
IOA51	R17
	P20
	N15



FPGA	
ULED2	H13
ULED3	G13
IOA33	G13
IOA32	G16
IOA35	J14
IOA34	H14
IOA6	G17
IOA7	G18
IOA37	J15
IOA36	H15
IOA8	H17
IOA9	H18
IOA11	J22
IOA10	H22
IOA12	H20
IOA13	G20
IOA24	K21
IOA25	K22
	M21
	L21
IOA15	J20
IOA14	J19
GCLK50_A1	J19
	H19
IOA16	K18
IOA17	K19
IOA27	L19
IOA26	L20
IOA53	N22
IOA52	M22
IOA29	M13
IOA28	L18
IOA40	N18
IOA41	N19
IOA43	N20
IOA42	N20
	K13
	K14
IOA45	M13
IOA44	L13
IOA59	K12
IOA58	J17
IOA47	L14
IOA46	L15
IOA61	L16
IOA60	K16
IOA48	M15
IOA49	M16
	J16
	M17



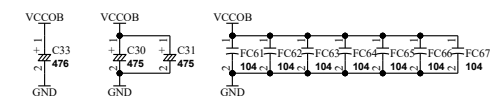
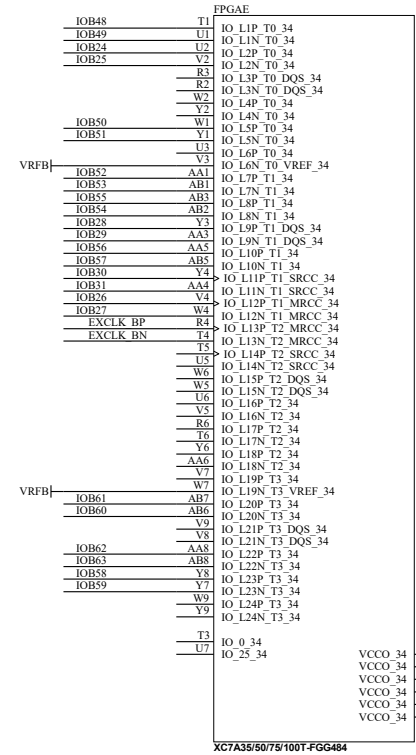
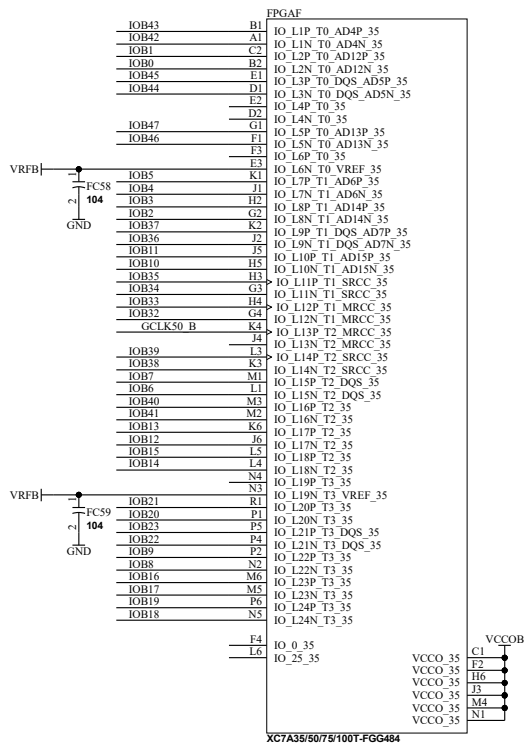
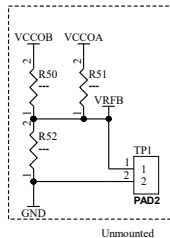
**HUMAN DATA**  
 HUMAN DATA LTD.  
[www.hdl.co.jp/](http://www.hdl.co.jp/) (Japan)  
[www2.hdl.co.jp/en/](http://www2.hdl.co.jp/en/) (Global)

DSN:	TITLE: ARTIX-7 FBG484 FPGA Board
DOC. No.:	XCM-114
FILE: IOA_CONFIG.sch	DATE: 2023/03/13 15:47:13
Sheet:	5 / 7

**B**

V33A	V33A
VIO(B)	VIO(B)
VCCINT_10	VCCINT_10
VCCAUX_18	VCCAUX_18
VMGTAVTT_12	VMGTAVTT_12
VMGTVCC_10	VMGTVCC_10
VMGTCLK	VMGTCLK
VDDR	VDDR
VCCOB	VCCOB
VCCOA	VCCOA
GND	GND

IOB(0..63)	IOB0..63
GCLK50 B	GCLK50 B
EXCLK BP	EXCLK BP
EXCLK BN	EXCLK BN



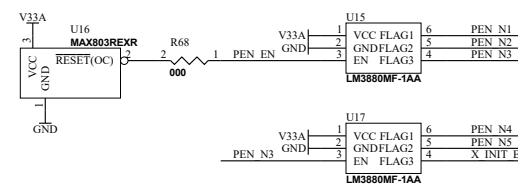
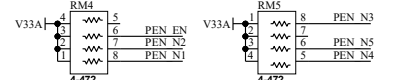
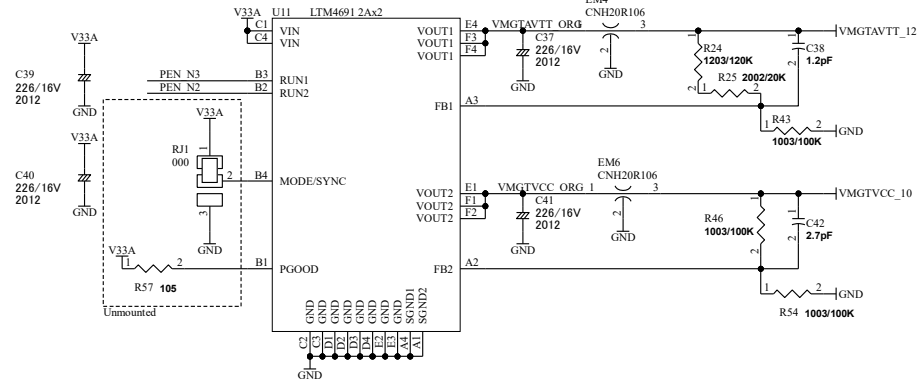
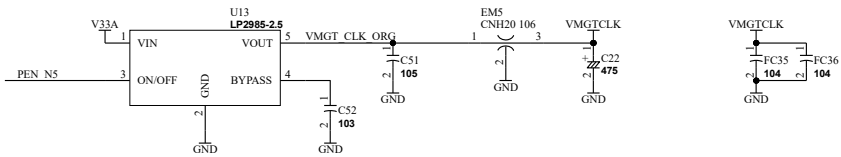
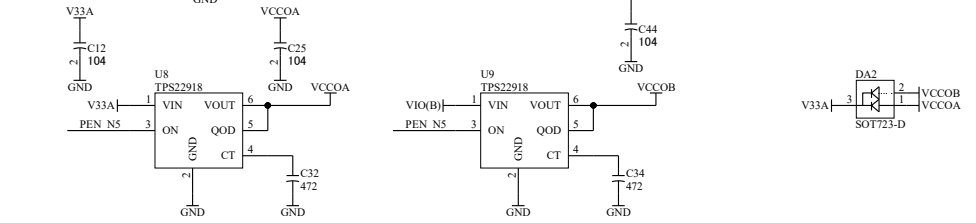
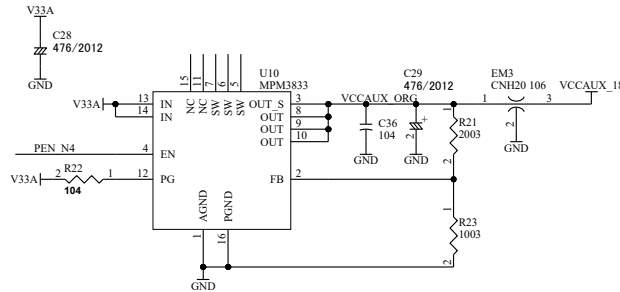
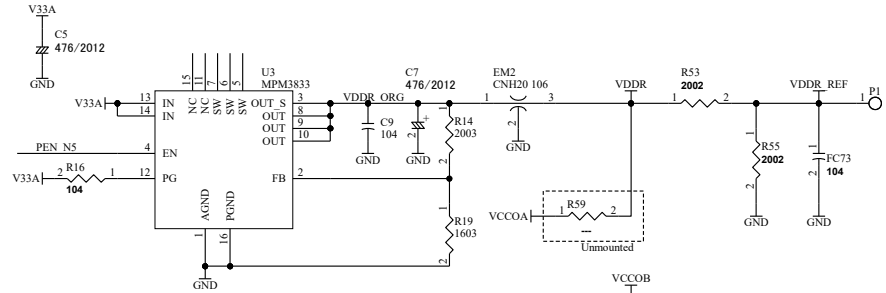
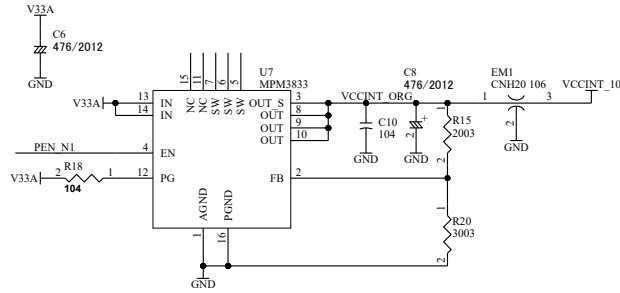
XCM114R3-SCH-B.pdf



DSN:	TITLE: ARTIX-7 FBG484 FPGA Board	
DOC. No:	<b>XCM-114</b>	<b>B</b>
FILE: IOB.SCH	DATE: 2023/03/13 15:47:13	Sheet 6 / 7

V33A	V33A
VIO(B)	VIO(B)
VCCINT_10	VCCINT_10
VCCAUX_18	VCCAUX_18
VMGTAVTT_12	VMGTAVTT_12
VMGTVCC_10	VMGTVCC_10
VMGTCLK	VMGTCLK
VDDR	VDDR
VCCOB	VCCOB
VCCOA	VCCOA
GND	GND

X INIT B X INIT B



Power sense point

GND	1	GND
	2	VCCINT_10
	3	VCCAUX_18
	4	VMGTAVTT_12
	5	VMGTVCC_10
	6	VMGTCLK
	7	VCCOB
	8	VDDR
	9	VCCOA
	10	GND

XCM114R3-SCH-B.pdf



DSN:	TITLE: ARTIX-7 FBG484 FPGA Board
DOC. No:	XCM-114
FILE: POWER.sch	DATE: 2023/03/13 15:47:13
Sheet: 7 / 7	B